

Modern Metier



Plat Pendant Light

Designer

Contain

Specifications

SKU: PLA.110

Typology: Pendant lights

Materials: Brass structure, opal glass and blown glass plate.

Socket: E27

Wattage: Max 20 W Only LED

Voltage: 220/240 V

Included bulb: E27 5 W 2700 K dimmable

Collection: 2018

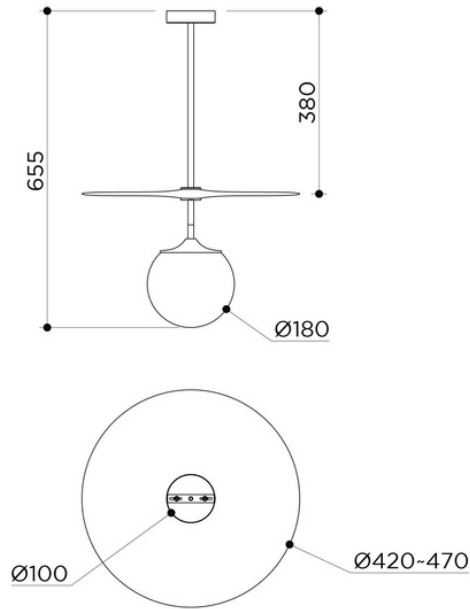
Lead time: 4/8 weeks

Origin: Handcrafted in Mallorca, Spain



Modern Metier

Dimensions



Variations

METAL FINISHES



PATINA



PLATED



POWDER COAT



PLAT GLASS FINISHES

